

For Earth, For Life

Kubota

KUBOTA ZERO TAIL SWING MINI-EXCAVATOR

U10-3 SIDE LEVER

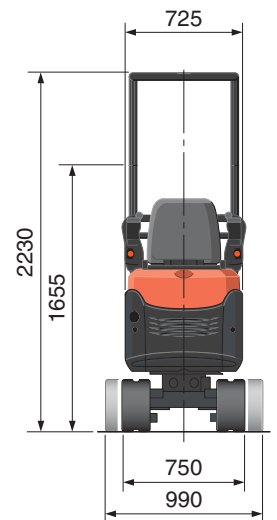
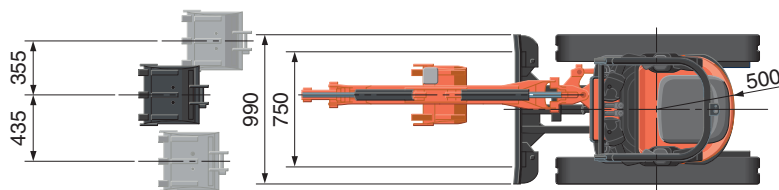
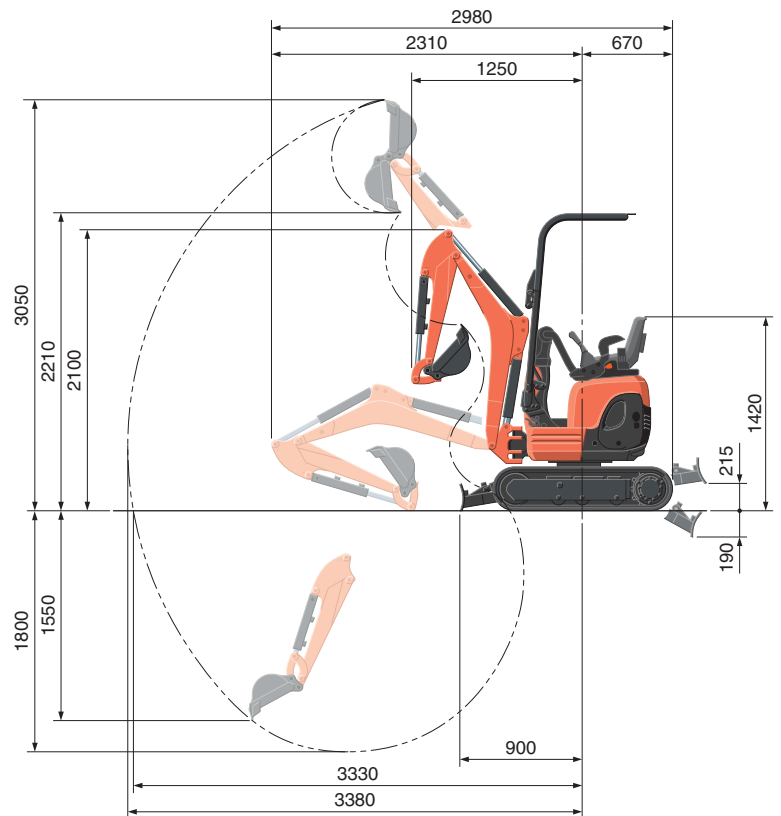
NEW



SPECIFICATIONS

| | | | *With rubber shoe type | |
|----------------------------------|---------------------|----------------------------|---|---------|
| Model | | | U10-3 SL | |
| Machine weight | Rubber crawler | kg | 1120 | |
| Bucket capacity, std. SAE/CECE | | m ³ | 0.024 / 0.020 | |
| Bucket width | With side teeth | mm | 398 | |
| | Without side teeth | mm | 380 | |
| Model | | | D722-BH-6 | |
| Type | | | Water-cooled diesel-engine E-TVCS (Economical, ecological type) | |
| Engine | Output ISO9249 | PS/rpm | 10.2 / 2050 | |
| | | kW/rpm | 7.4 / 2050 | |
| | Number of cylinders | | 3 | |
| | Bore x stroke | | mm | 67 x 68 |
| | Displacement | | cm ³ | 719 |
| Overall length | | mm | 2980 | |
| Overall height | | mm | 2230 | |
| Swivelling speed | | rpm | 8.3 | |
| Rubber shoe width | | mm | 180 | |
| Tumbler distance | | mm | 1010 | |
| Dozer size (width x height) | | mm | 750/990 x 200 | |
| Hydraulic pumps | P1, P2 | | Gear pump | |
| | Flow rate | ℓ /min | 10.5 + 10.5 | |
| | Hydraulic pressure | MPa (kgf/cm ²) | 17.6 (180) | |
| | P3 | | Gear pump | |
| | Flow rate | ℓ /min | 3.1 | |
| | Hydraulic pressure | MPa (kgf/cm ²) | 2.9 (30) | |
| Max. digging force | Arm | kN (kgf) | 5.4 (550) | |
| | Bucket | kN (kgf) | 10.4 (1060) | |
| Boom swing angle (left/right) | | deg. | 55 / 55 | |
| Auxiliary circuit | Flow rate | ℓ /min | 21.0 | |
| | Hydraulic pressure | MPa (kgf/cm ²) | 180 | |
| Hydraulic reservoir | | ℓ | 12.5 | |
| Fuel tank capacity | | ℓ | 12 | |
| Max. travelling speed (low/high) | | km/h | 2.0 / 4.0 | |
| Ground contact pressure | | kPa (kgf/cm ²) | 25.3 (0.26) | |
| Ground clearance | | mm | 140 | |

WORKING RANGE



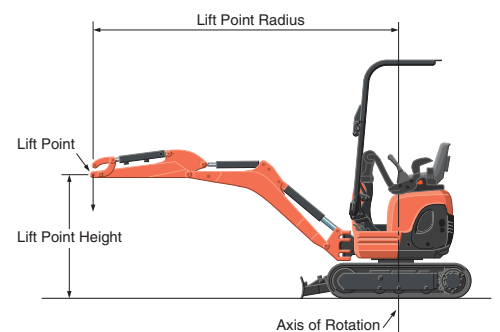
LIFTING CAPACITY

| Lift Point Height | kN (ton) | | | | | | | | |
|-------------------|-----------------------------|------------|------------|---------------------------|------------|------------|-----------------------------|-----------|-----------|
| | Lifting point radius (1,5m) | | | Lifting point radius (2m) | | | Lifting point radius (max.) | | |
| | Over-front | | Over-side | Over-front | | Over-side | Over-front | | Over-side |
| Blade down | Blade up | Blade down | | Blade up | Blade down | | Blade up | | |
| 2,0 m | - | - | - | 170 (0,17) | 170 (0,17) | 150 (0,15) | - | - | - |
| 1,0 m | 290 (0,29) | 260 (0,26) | 220 (0,22) | 220 (0,22) | 160 (0,16) | 140 (0,14) | - | - | - |
| 0,5 m | 410 (0,42) | 230 (0,24) | 190 (0,20) | 250 (0,26) | 150 (0,16) | 130 (0,13) | 140 (0,14) | 90 (0,09) | 70 (0,08) |
| 0 m | 380 (0,39) | 220 (0,22) | 180 (0,19) | 250 (0,25) | 150 (0,15) | 120 (0,13) | - | - | - |
| -1,0 m | 240 (0,25) | 220 (0,22) | 180 (0,19) | 160 (0,17) | 140 (0,15) | 120 (0,12) | - | - | - |

Please, note:

* The lifting capacities are based on ISO 10567 and do not exceed 75% of the static tilt load of the machine or 87% of the hydraulic lifting capacity of the machine.

* The excavator bucket, hook, sling and other lifting accessories are not included on this table.



* Working ranges are with Kubota standard bucket, without quick coupler.

* Specifications are subject to change without notice for purpose of improvement.

KUBOTA EUROPE SAS

19/25 rue Jules Verceyruysse
Zone Industrielle - BP50088
95101 Argenteuil Cedex - France
Tel : (33) 01 34 26 34 34
Fax : (33) 01 34 26 34 99

KUBOTA Baumaschinen GmbH

Steinhauser Straße 100
D-66482 Zweibrücken - Germany
Telefon : (49) 0 63 32 - 487 - 312
F a x : (49) 0 63 32 - 487 - 101

KUBOTA U.K. LTD

Dormer Road, Thame, Oxfordshire
OX93UN - U.K.
Phone: (44) 01 844-268140
Fax: (44) 01 844-216685